



MICRO-SWITCH AND RELAY INSTRUCTIONS

Item Number A92 AC / DC



MICRO-SWITCH AND RELAY INSTRUCTIONS

Item Number A92 AC / DC

MICRO-SWITCH FOR MODEL 9700

The Micro-Switch can be added to the Model 9700. Perform multiple electrical functions such as turn on/off motors, lights, horns, etc. The switch can be used with both AC and DC supply voltage. Use of epoxy resin assures stable sealing, making the switch ideal for places subject to excessive dust.

Item	Description
Overview:	SPDT, RoSH Compliant
Rated Voltage:	125 VAC 3A 250 VAC 2A 30 VDC 3A
Cable Length:	Approximately 12"(304 mm)
Approved Safety Standards:	UL (UL1054)/CSA (CSA C22.2 No.55)
Operation Temperature:	-40° to +220°F (-40° to +105°C)

IMPORTANT NOTE – RELAY NEEDED

The maximum current load of the Micro-Switch is less than what is typically found in most applications, therefore a relay must be used. The relay isolates the switch from damage caused by excessive line voltage. Consider the requirements of the load (light, horn, motor, etc.) when selecting the relay. Relays most commonly used are an 8-pin ice-cube style relay. UL rated.

Relay Type	Contact Form	Coil Voltage	Contact Rating	Relay Order Number
AC	DPDT	120V AC	10A @ 220V AC	MK2P-S-AC120
DC	DPDT	12V DC	10A @ 28V DC	MK2P-S-DC12
DC	DPDT	24V DC	10A @ 28V DC	MK2P-S-DC24

SELECT “NORMALLY OPEN” OR “NORMALLY CLOSED”

Determine when you want your electrical equipment to be activated or deactivated.

TWO OPTIONS:

1. When the LevAlert changes from a black to a yellow indicating granular material has reached the unit.
2. When LevAlert changes from yellow to black indicating granular material has receded below the unit.

MICRO-SWITCH FOR MODEL 9700

The Micro-Switch can be added to the Model 9700. Perform multiple electrical functions such as turn on/off motors, lights, horns, etc. The switch can be used with both AC and DC supply voltage. Use of epoxy resin assures stable sealing, making the switch ideal for places subject to excessive dust.

Item	Description
Overview:	SPDT, RoSH Compliant
Rated Voltage:	125 VAC 3A 250 VAC 2A 30 VDC 3A
Cable Length:	Approximately 12"(304 mm)
Approved Safety Standards:	UL (UL1054)/CSA (CSA C22.2 No.55)
Operation Temperature:	-40° to +220°F (-40° to +105°C)

IMPORTANT NOTE – RELAY NEEDED

The maximum current load of the Micro-Switch is less than what is typically found in most applications, therefore a relay must be used. The relay isolates the switch from damage caused by excessive line voltage. Consider the requirements of the load (light, horn, motor, etc.) when selecting the relay. Relays most commonly used are an 8-pin ice-cube style relay. UL rated.

Relay Type	Contact Form	Coil Voltage	Contact Rating	Relay Order Number
AC	DPDT	120V AC	10A @ 220V AC	MK2P-S-AC120
DC	DPDT	12V DC	10A @ 28V DC	MK2P-S-DC12
DC	DPDT	24V DC	10A @ 28V DC	MK2P-S-DC24

SELECT “NORMALLY OPEN” OR “NORMALLY CLOSED”

Determine when you want your electrical equipment to be activated or deactivated.

TWO OPTIONS:

1. When the LevAlert changes from a black to a yellow indicating granular material has reached the unit.
2. When LevAlert changes from yellow to black indicating granular material has receded below the unit.

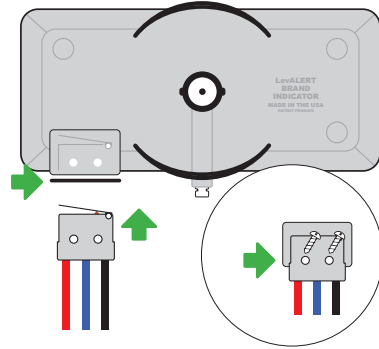


MICRO-SWITCH AND RELAY INSTRUCTIONS

IMPORTANT: For multiple LevALERT units on a single bin, each containing a Micro-Switch, one relay can be used to perform multiple functions. Consult your electrician on how to design the system to fit your needs.

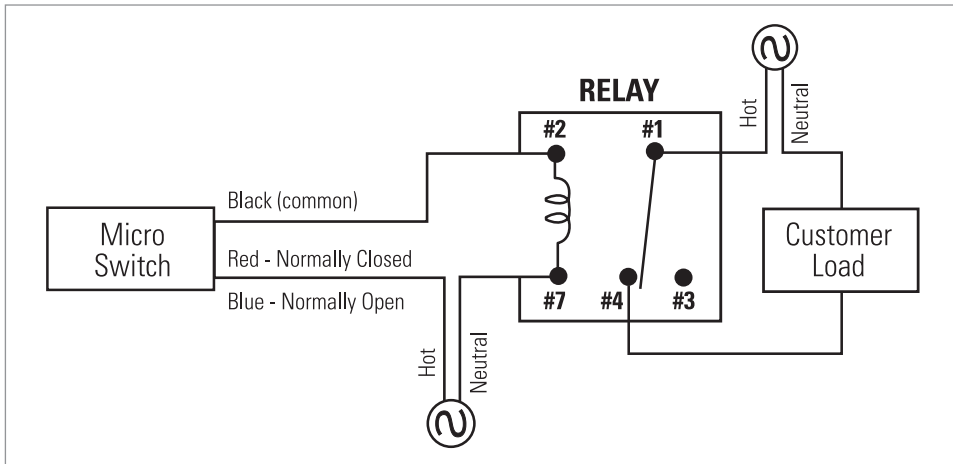
HOW TO INSTALL THE MICRO-SWITCH ON LEVALERT INDICATOR MODEL 9700

1. Remove silver tape from the bottom of the Model 9700.
2. Insert the Micro-Switch into the space, making sure the switch aligns with the drawing.
3. Screw the switch into place using the screws provided.



TYPICAL WIRING DIAGRAM – AC

(Shown with Ice Cube Style Relay)



BECAUSE OF THE WIDE RANGE OF APPLICATIONS FOR THE MICRO-SWITCH, WE RECOMMEND CONSULTING A QUALIFIED ELECTRICIAN TO CONFIRM THE COMPATIBILITY OF YOUR APPLICATION.

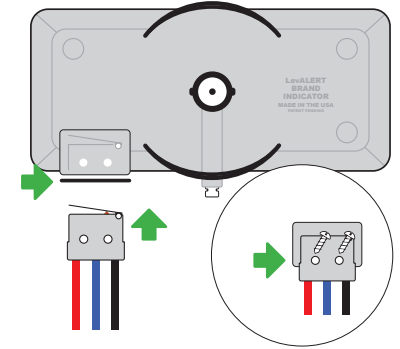


MICRO-SWITCH AND RELAY INSTRUCTIONS

IMPORTANT: For multiple LevALERT units on a single bin, each containing a Micro-Switch, one relay can be used to perform multiple functions. Consult your electrician on how to design the system to fit your needs.

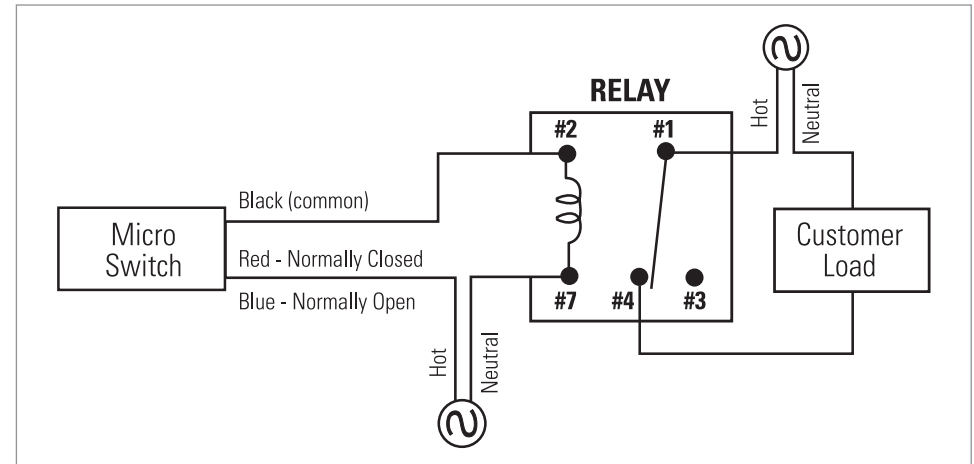
HOW TO INSTALL THE MICRO-SWITCH ON LEVALERT INDICATOR MODEL 9700

1. Remove silver tape from the bottom of the Model 9700.
2. Insert the Micro-Switch into the space, making sure the switch aligns with the drawing.
3. Screw the switch into place using the screws provided.



TYPICAL WIRING DIAGRAM – AC

(Shown with Ice Cube Style Relay)



BECAUSE OF THE WIDE RANGE OF APPLICATIONS FOR THE MICRO-SWITCH, WE RECOMMEND CONSULTING A QUALIFIED ELECTRICIAN TO CONFIRM THE COMPATIBILITY OF YOUR APPLICATION.